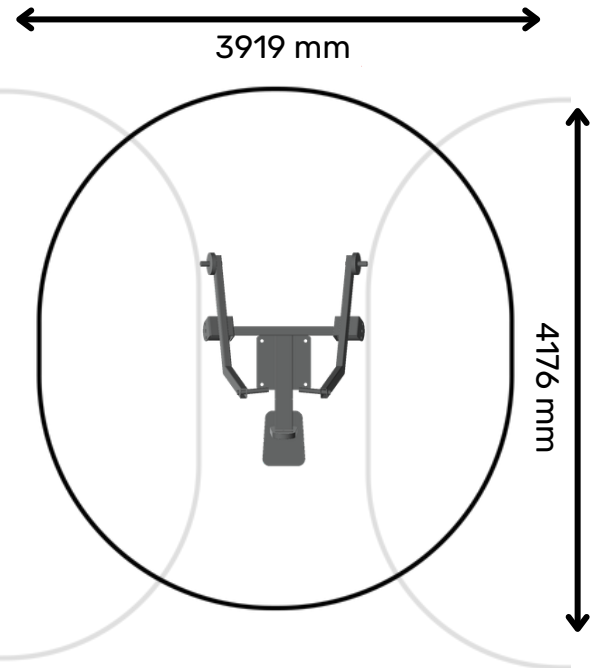


JR240

Lat Pulldown

Children's outdoor exercise equipment



Movement area requirements
Movement spaces including areas of movement
may overlap.



RAL7024



RAL5012



RAL6019



RAL2003



RAL3020

Frame

- All steel frame construction - wall thickness 3 - 4 mm
- Hot dip galvanized and powder coated
- Maintenance-free stainless steel roller bearings
- Stainless steel / acid-resistant hardware
- LINE-X® protective coating on all seats and backrests

Standard colors

- Moving parts - RAL7024 DARK GRAY
- Frame - See chart above - **All RAL-Classic colors**

Standard EN16630:2015, EN1176-1:2024-05

Target group children under 140 cm

Installation

- Concrete base, Ground Socket or Machine Platform
ATTENTION! Ground frost insulation required

Length

1176 mm

Width

919 mm

Height

1278 mm

Required area

16,5 m²