



Concrete slab and positioning

Concrete slab

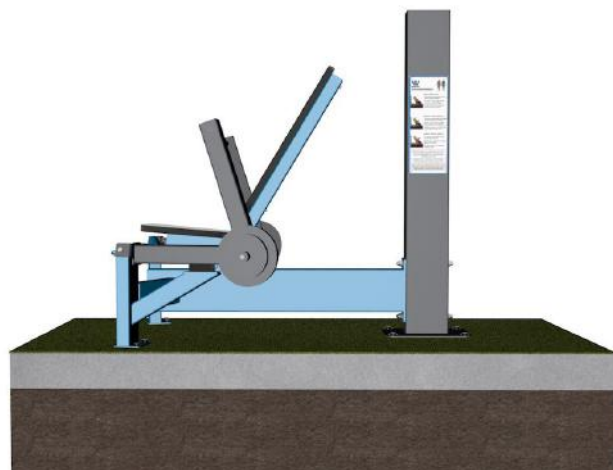
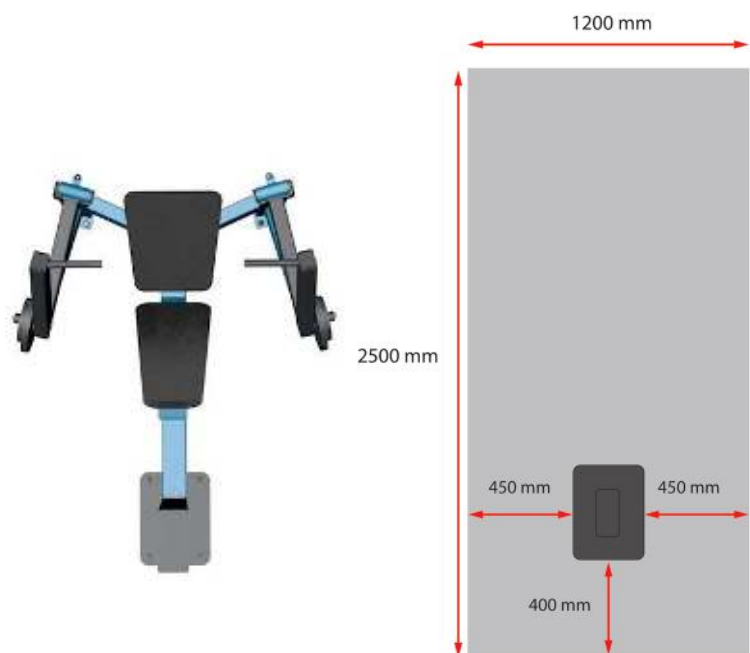
Length	2500 mm
Width	1200 mm
Thickness	120 mm

- Ground frost insulation
- Rebaring
- Adequate drying time must be ensured

Concrete slab cast

Top surface of the concrete base must be on the ground level, max. allowed deviation = - 20 mm to compensate for the surface material thickness.

Thickness of the surface material on top of the concrete slab max. 20 mm.



Securing the Mounting Post

The Mounting Post shall be positioned on the concrete slab according to the Positioning Diagram.

The Post must be in upright position.

ATTENTION!

The permissible deviation is 2 mm / 1 m!

The Mounting Post must be secured with 10 x 100 mm Galvanized or Stainless Steel Concrete Screws and with M10 washers.

Tightening torque of the screws according to the manufacturers instructions.

Hardware required: 4 screws + 4 washers.



Main Frame installation

To be secured with M16x240 (200 Nm) screws and M16 washers.

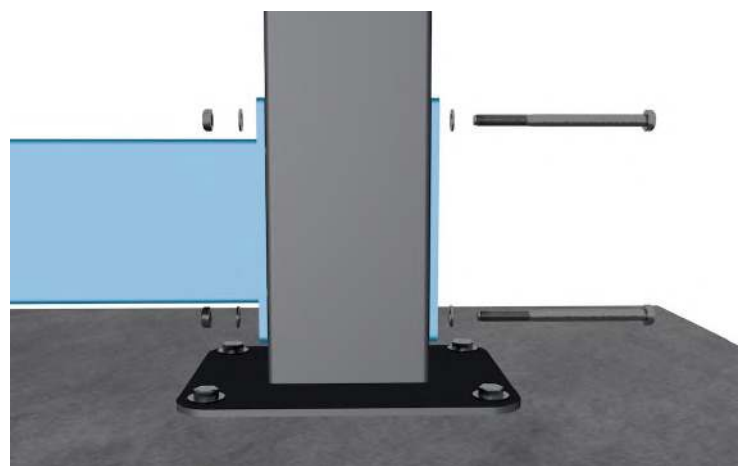
Support plate 300 x 100 x 10 mm on the other side.

Hardware required:

2 pcs M16x240 Galvanized Steel Screws

4 pcs M16 Galvanized Washers

2 pcs M16 Galvanized Steel Nuts



Securing the main frame

Main frame shall be positioned on the concrete slab according to the positioning diagram.

Frame must be installed in upright position.

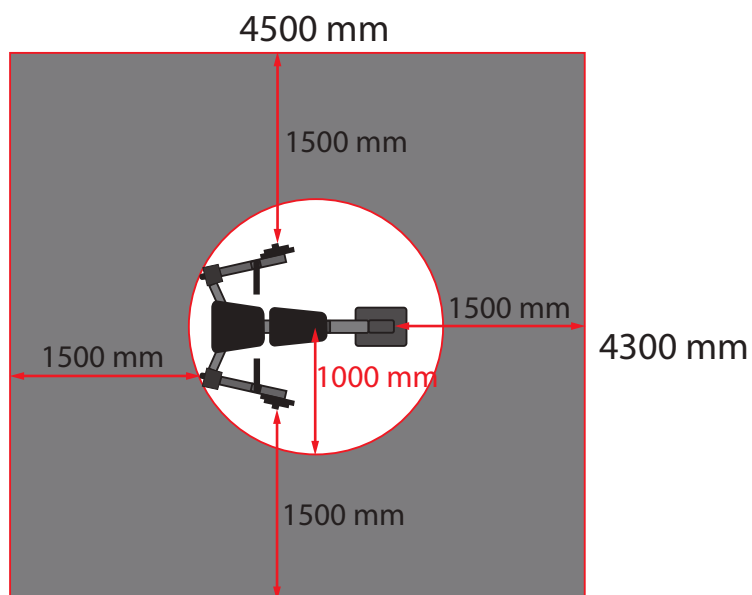
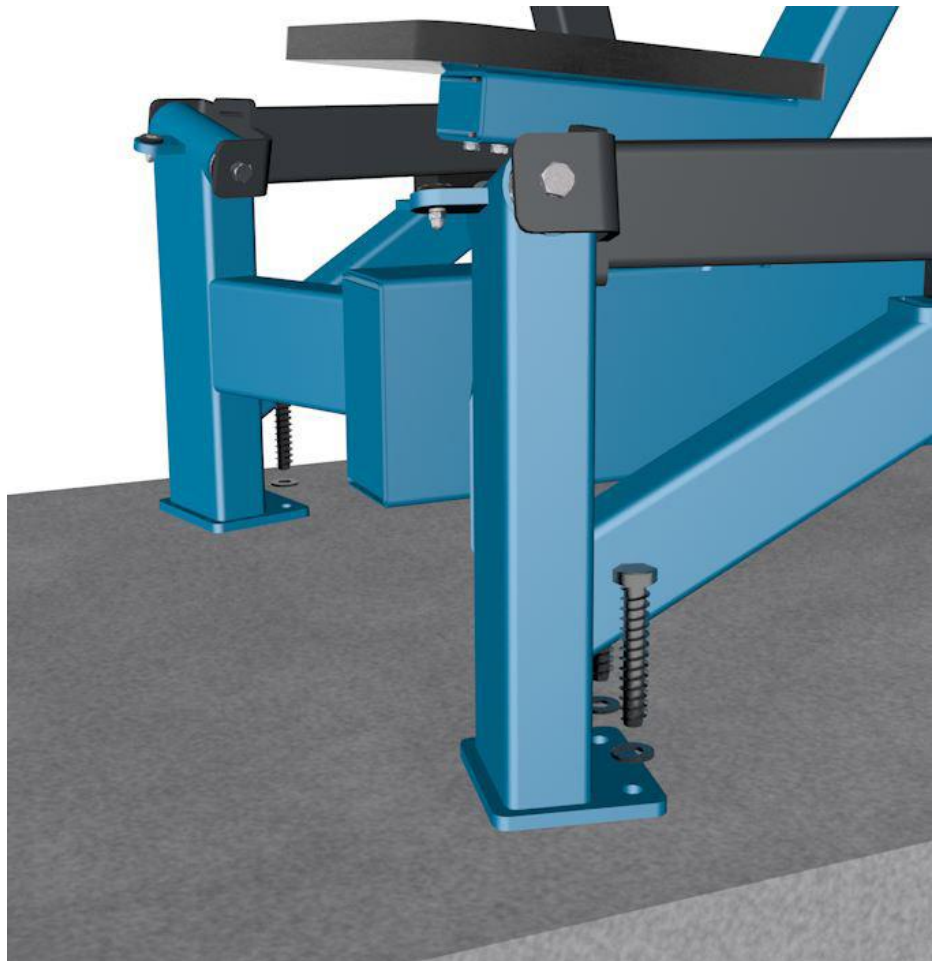
ATTENTION!

The permissible deviation is 2 mm / 1 m!

Secure the Main Frame to the concrete slab with 10 x 100 mm Galvanized or Stainless Steel Concrete Screws and M10 washers.

Tightening torque of the screws according to the manufacturers instructions.

Hardware required:
4 screws + 4 washers.



User and training space requirements

Assembly, operational and safety Inspection

- Readability and placement of the Instruction Decal
- Mounting Post and Frame securing concrete screws
- Main Frame attachment screws
- Weight Plates locking screws
- Back Support and Seat attachment screws
- Range limiter attachments
- Device operation
- Fill in and dispatch the Inspection Report

If you notice any defect in the Product, please contact the Authorized Dealer!