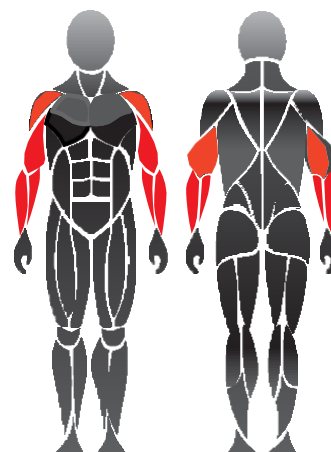
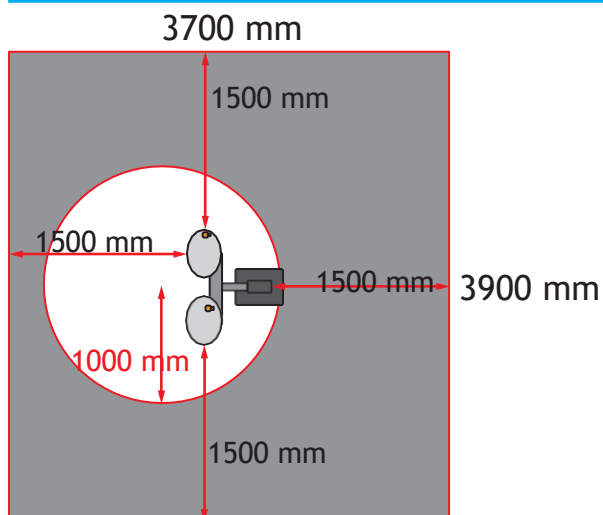
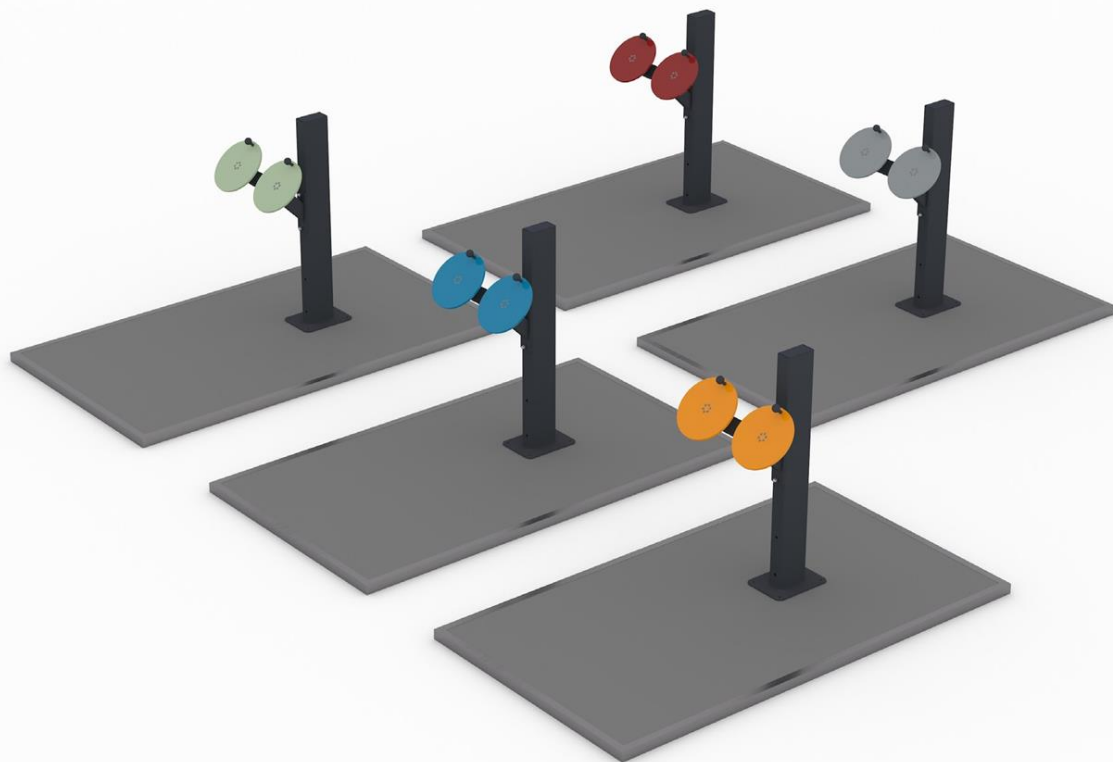


WAFFA SL64 Handwheel



Movement and training space requirements

Target muscles

Product specifications:

Length: 810 mm
Width: 880 mm
Height: 1500 mm
Load: -

User height: + 140 cm
Standard: EN16630:2015

Frame:

- Steel frame construction
- Wall thickness 4 - 6 mm
- Hot dip galvanized, powder coating
- Maintenance-free roller bearings

Standard colors:

- Mounting post, movement arms, seats, and backrests RAL 7024 Dark Gray
- Frame: RAL 1028 Yellow, RAL 3001 Red, RAL 5012 Blue, RAL 6019 Green and RAL 7040 Gray
- Other RAL-Classic colors optional

Foundation:

- Installation on concrete base

ATTENTION!

- Two units can be mounted on one mounting post on a larger concrete base.
- Ground frost insulation required

Concrete base dimensions:

- 1 unit / mounting post 250x120x12 cm
- 2 units / mounting post 480x120x12 cm