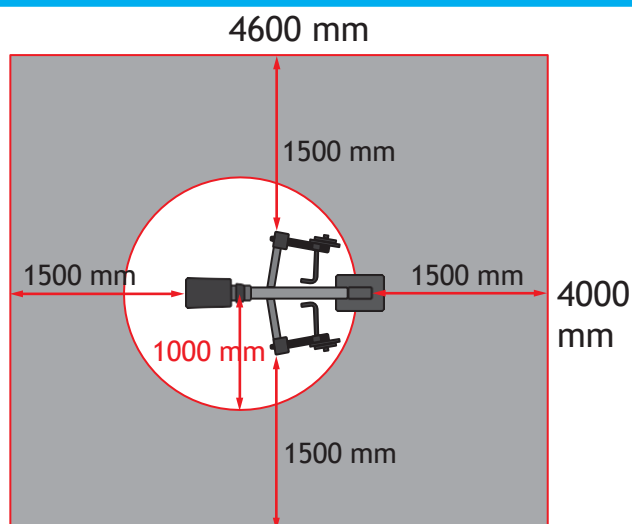
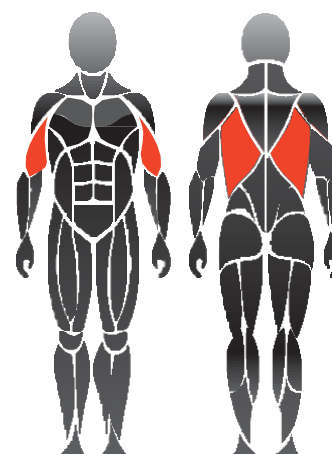


# WAFFA SL23 Seated Row



Movement and training space requirements



Target muscles

## Product specifications:

Length: 1690 mm  
Width: 1070 mm  
Height: 1500 mm  
Load: 5 - 15 kg

User height: + 140 cm  
Standard: EN16630:2015

## Frame:

- Steel frame construction
- Wall thickness 4 - 6 mm
- Hot dip galvanized, powder coating
- Maintenance-free roller bearings

## Standard colors:

- Mounting post, movement arms, seats, and backrests RAL 7024 Dark Gray.
- Frame: RAL 1028 Yellow, RAL 3001 Red, RAL 5012 Blue, RAL 6019 Green and RAL 7040 Gray
- Other RAL-Classic colors optional

## Foundation:

- Installation on concrete base

### ATTENTION!

- Two units can be mounted on one mounting post on a larger concrete base
- Ground frost insulation required

### Concrete base dimensions:

- 1 unit / mounting post 250x120x12 cm
- 2 units / mounting post 480x120x12 cm